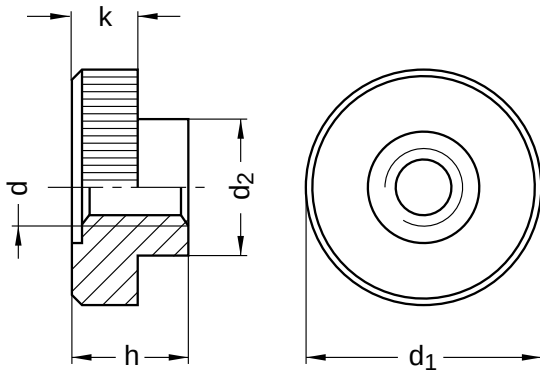


B 466 F

Knurled nuts

High form | fine knurling

Plastic Polyamide white | Cr(VI)-free | Metric thread



Diameter (d)	d ₁ nominal size	d ₂ max.	h max.	k max.	Pitch (P)
M3	12	7.0	7	3.5	0.5
M4	12	7.0	7	3.5	0.7
	16	9.5	8	4.5	
M5	14	8.8	7	3.5	0.8
	16	9.5	8	4.5	
M6	20	13.0	11	6.0	1.0
	16	9.5	8	4.5	

All technical data refer to the measure mm

