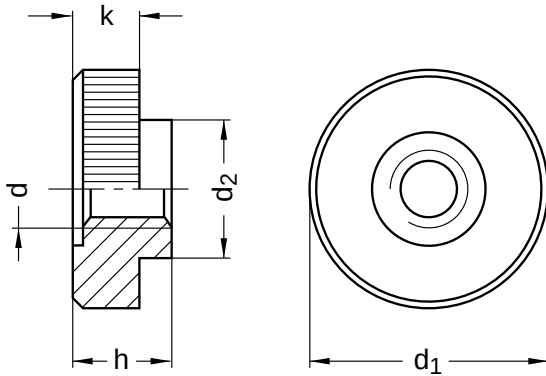


B 467 F

Knurled nuts

Low version | fine knurling

Plastic Polyamide white | Cr(VI)-free | Metric thread



Diameter (d)	d ₁ nominal size	d ₂ max.	h max.	k max.	Pitch (P)
M4	16	9.5	6.0	4.5	0.7
	20	10.0	7.5	6.0	
M5	16	9.5	6.0	4.5	0.8
	20	10.0	7.5	6.0	
M6	16	9.5	6.0	4.5	1.0
	20	10.0	7.5	6.0	

All technical data refer to the measure mm

