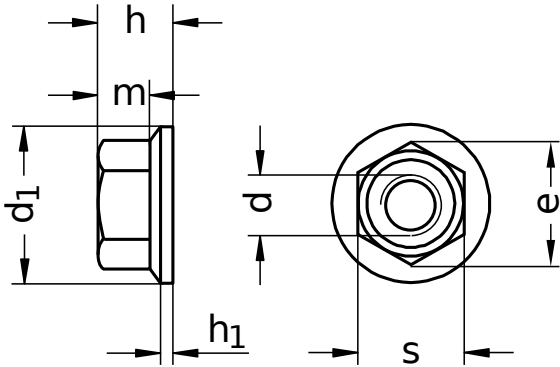


B 53010

Washer nuts

With permanent, loose washer

Steel 8 | zinc-plated | Cr(VI)-free | Metric thread



| Diameter (d) | d ₁ | | h ₁ | | | h | | |
|-----------------|----------------|-------|----------------|------|------|--------------|-------|-------|
| | nominal size | min. | nominal size | min. | max. | nominal size | min. | max. |
| M3 | 10 | 9.75 | 0.8 | 0.77 | 0.83 | 3.70 | 3.30 | 3.85 |
| M4 | 12 | 11.70 | 1.0 | 0.96 | 1.04 | 4.85 | 4.40 | 5.00 |
| M5 | 15 | 14.65 | 1.2 | 1.16 | 1.24 | 6.00 | 5.50 | 6.20 |
| M6 | 18 | 17.60 | 1.5 | 1.45 | 1.55 | 7.50 | 7.00 | 7.70 |
| M8 | 23 | 22.60 | 2.0 | 1.94 | 2.06 | 9.70 | 9.14 | 9.90 |
| M10 | 28 | 27.60 | 2.5 | 2.44 | 2.56 | 12.00 | 11.39 | 12.25 |

| Diameter (d) | e | s | | Pitch (P) | Tool size |
|-----------------|-------|--------------|-------|--------------|--------------|
| | min. | nominal size | min. | | |
| M3 | 6.01 | 5.5 | 5.32 | 0.50 | SW 5,5 |
| M4 | 7.66 | 7.0 | 6.78 | 0.70 | SW 7 |
| M5 | 8.87 | 8.0 | 7.78 | 0.80 | SW 8 |
| M6 | 11.05 | 10.0 | 9.78 | 1.00 | SW 10 |
| M8 | 14.38 | 13.0 | 12.73 | 1.25 | SW 13 |
| M10 | 18.90 | 17.0 | 16.73 | 1.50 | SW 17 |

All technical data refer to the measure mm

