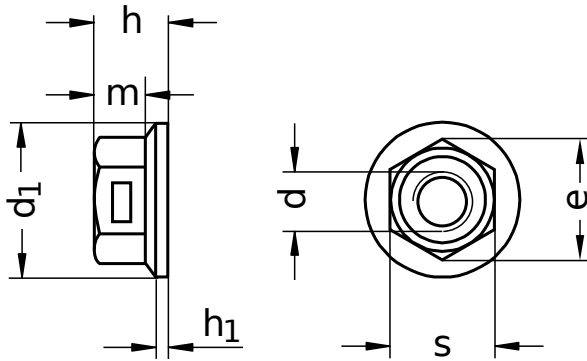


B 53011

Washer nuts

Self-locking | with permanent, loose washer | shaped

Steel 8 | zinc-plated | Cr(VI)-free | Metric thread



Diameter (d)	d ₁		h ₁			h			e	m		s		Pitch (P)	Tool size
	min.	max.	nominal size	min.	max.	nominal size	min.	max.		min.	max.	min.	max.		
M4	11.70	12	1.0	0.96	1.04	4.85	4.40	5.0	7.66	2.90	3.2	6.78	7	0.70	SW 7
M5	14.35	15	1.2	1.16	1.24	6.00	5.50	6.2	8.87	3.70	4.0	7.78	8	0.80	SW 8
M6	17.60	18	1.5	1.45	1.55	7.50	7.00	7.7	11.05	4.70	5.0	9.78	10	1.00	SW 10
M8	22.60	23	2.0	1.94	2.06	10.00	9.44	10.2	14.38	6.44	6.8	12.73	13	1.25	SW 13

All technical data refer to the measure mm

