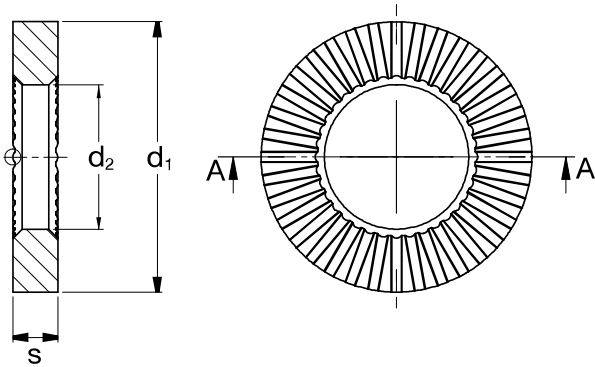
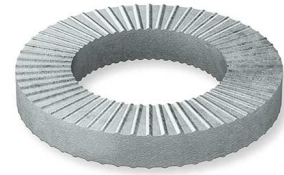


**B 53065**  
**RIPP LOCK® self-locking washers**

With small external diameter | ribbed on both sides

Steel | zinc flake coating | Cr(VI)-free



Diameter (d)	d <sub>1</sub>		d <sub>2</sub>		s		
	min.	max.	min.	max.	nominal size	min.	max.
6	10.57	11	6.4	6.62	2.0	2.0	2.2
8	14.57	15	8.4	8.62	2.5	2.5	2.7
10	17.48	18	10.5	10.77	2.5	2.5	2.7
12	19.48	20	12.5	12.77	3.0	3.0	3.3

All technical data refer to the measure mm

