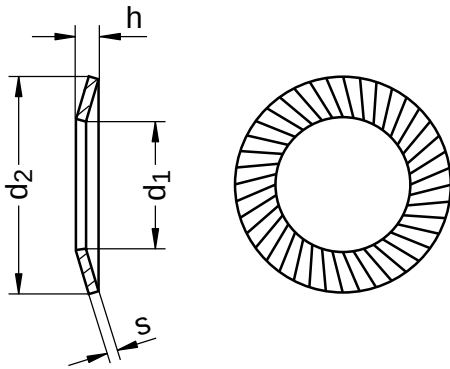


B 53070

Locking washers

Form S | verstärkt

Spring steel | mechanically zinc-plated | Cr(VI)-free



Diameter (d)	d_1 nominal size	d_2 nominal size	s nominal size
5	5.3	9	0.9
6	6.4	10	0.9
8	8.4	13	1.1
10	10.5	16	1.4
12	13	18	1.4
14	15	22	1.4
16	17	24	1.9
18	19	27	1.9
20	21	30	1.9
24	25.6	36	2.4
27	28.6	39	2.4
30	31.6	45	-

All technical data refer to the measure mm

