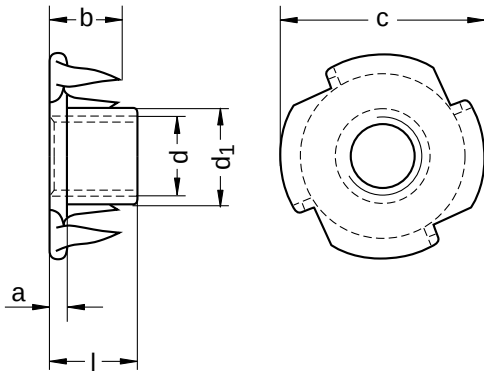


B 65080
Drive-in nuts

Steel | zinc-plated | Cr(VI)-free | Metric thread



Diameter (d)	a			b			c		
	nominal size	min.	max.	nominal size	min.	max.	nominal size	min.	max.
M4	0.8	0.75	0.85	4.5	4.0	5.0	15.0	14.7	15.3
				4.5	4.0	5.0			
M5	1.0	0.95	1.05	4.5	4.0	5.0	19.0	18.7	19.3
				4.5	4.0	5.0			
M6	1.1	1.05	1.15	6.7	6.2	7.2	19.0	18.7	19.3
				7.5	7.0	8.0			
M8	1.5	1.45	1.55	7.7	7.2	8.2	22.2	21.9	22.5
				7.7	7.2	8.2			
M10	1.6	1.55	1.65	8.7	8.2	9.2	25.4	25.1	25.7

Diameter (d)	nominal size	d ₁		Pitch (P)	Length (l)		
		min.	max.		nominal size	min.	max.
M4	5.2	4.7	5.7	0.70	8	7.5	8.5
					6	5.5	6.5
M5	6.2	5.7	6.7	0.80	8	7.5	8.5
					8	7.5	8.5
M6	7.4	6.9	7.9	1.00	9	8.5	9.5
					12	11.5	12.5
M8	9.5	9.0	10.0	1.25	15	14.5	15.5
					11	10.5	11.5
M10	12	11.5	12.5	1.50	13	12.5	13.5

All technical data refer to the measure mm

