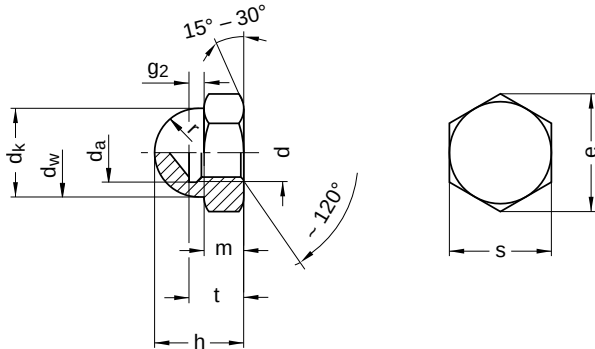


DIN 1587
Hexagon cap nuts

High form

Steel 6 AU | bright | Cr(VI)-free | Metric thread



| Diameter (d) | d _a | | d _k | d _w | e | g ₂ | h | m | | r | s | | Pitch (P) | t | | Tool size |
|-----------------|----------------|-------|----------------|----------------|-------|----------------|------|-------|------|--------------|------|-------|--------------|-------|-------|--------------|
| | min. | max. | max. | min. | min. | max. | max. | min. | max. | nominal size | max. | min. | | max. | min. | |
| M4 | 4 | 4.60 | 6.5 | 5.9 | 7.50 | – | 8 | 2.90 | 3.2 | 3.25 | 7 | 6.64 | 0.70 | 5.74 | 5.26 | SW 7 |
| M5 | 5 | 5.75 | 7.5 | 6.9 | 8.63 | – | 10 | 3.70 | 4.0 | 3.75 | 8 | 7.64 | 0.80 | 7.79 | 7.21 | SW 8 |
| M6 | 6 | 6.75 | 9.5 | 8.9 | 10.89 | – | 12 | 4.70 | 5.0 | 4.75 | 10 | 9.64 | 1.00 | 8.29 | 7.71 | SW 10 |
| M8 | 8 | 8.75 | 12.5 | 11.6 | 14.20 | – | 15 | 6.14 | 6.5 | 6.25 | 13 | 12.57 | 1.25 | 11.35 | 10.65 | SW 13 |
| M10 | 10 | 10.80 | 15.0 | 14.6 | 17.59 | – | 18 | 7.64 | 8.0 | 7.5 | 16 | 15.57 | 1.50 | 13.35 | 12.65 | SW 16 |
| M12 | 12 | 13.00 | 17.0 | 16.6 | 19.85 | 6.4 | 22 | 9.64 | 10.0 | 8.5 | 18 | 17.57 | 1.75 | 16.35 | 15.65 | SW 18 |
| M14 | 14 | 15.10 | 20.0 | 19.6 | 22.78 | 7.3 | 25 | 10.30 | 11.0 | 10 | 21 | 20.16 | 2.00 | 18.35 | 17.65 | SW 21 |
| M16 | 16 | 17.30 | 23.0 | 22.5 | 26.17 | 7.3 | 28 | 12.30 | 13.0 | 11.5 | 24 | 23.16 | 2.00 | 21.42 | 20.58 | SW 24 |
| M20 | 20 | 21.60 | 28.0 | 27.7 | 32.95 | 9.3 | 34 | 14.90 | 16.0 | 14 | 30 | 29.16 | 2.50 | 26.42 | 25.58 | SW 30 |
| M24 | 24 | 25.90 | 34.0 | 33.3 | 39.55 | 10.7 | 42 | 17.70 | 19.0 | 17 | 36 | 35.00 | 3.00 | 31.50 | 30.50 | SW 36 |

All technical data refer to the measure mm

