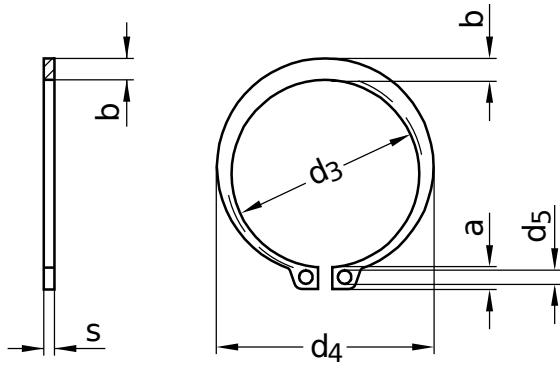


DIN 471

Lock rings

For shafts | heavy duty

Spring steel | zinc-plated | Cr(VI)-free



Diameter (d)	a max.	b	d ₁ nominal size	nominal size	d ₃ min.	max.	d ₄	d ₅	nominal size	s min.	max.
15	4.8	2.4	15	13.8	13.44	13.9	25.1	2	1.5	1.44	1.5

All technical data refer to the measure mm

