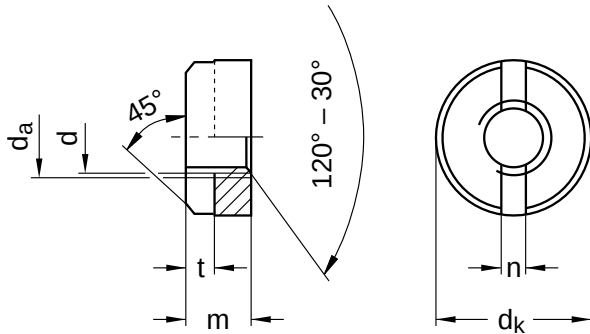


DIN 546
Slotted nuts

Stainless steel 1.4305 | Cr(VI)-free | Metric thread



Diameter (d)	d _a		d _k		m		nominal size	n		Pitch (P)	t	
	min.	max.	min.	max.	min.	max.		min.	max.		max.	min.
M1.6	1.60	1.84	3.20	3.5	1.35	1.6	0.5	0.56	0.70	0.35	0.8	0.6
M2	2.00	2.30	4.20	4.5	1.75	2.0	1.0	1.06	1.20	0.40	1.0	0.8
M2.5	2.50	2.90	5.20	5.5	1.95	2.2	1.2	1.26	1.51	0.45	1.1	0.9
M3	3.00	3.50	5.70	6.0	2.25	2.5	1.2	1.26	1.51	0.50	1.2	1.0
M3.5	3.45	4.00	6.64	7.0	2.75	3.0	1.4	1.46	1.71	0.60	1.4	1.0
M4	4.00	4.60	7.64	8.0	3.20	3.5	1.4	1.46	1.71	0.70	1.6	1.2
M5	5.00	5.75	8.64	9.0	3.90	4.2	2.0	2.06	2.31	0.80	1.9	1.5
M8	8.00	8.75	13.57	14.0	6.14	6.5	3.0	3.06	3.31	1.25	3.0	2.5
M10	10.00	10.80	17.57	18.0	7.64	8.0	3.5	3.57	3.87	1.50	3.7	3.2

All technical data refer to the measure mm

