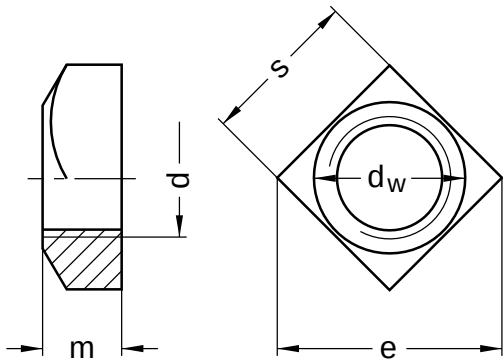


**DIN 557**  
**Square nuts**

Stainless steel A4 | Cr(VI)-free | Metric thread



Diameter (d)	d <sub>w</sub>		e		m		s		Pitch (P)
	min.	max.	min.	max.	min.	max.	min.	max.	
M5	6.7	11.3	9.93	3.52	4.0	7.64	8	0.80	
M6	8.7	14.1	12.53	4.52	5.0	9.64	10	1.00	
M8	11.5	18.4	16.34	5.92	6.5	12.57	13	1.25	

All technical data refer to the measure mm

