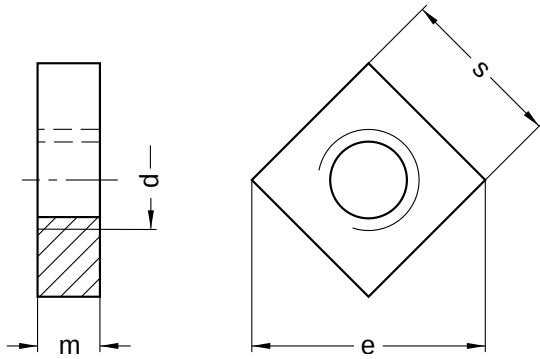


**DIN 562**  
**Square nuts**

Low form

Steel 04 | bright | Cr(VI)-free | Metric thread



Diameter (d)	e		m		s		Pitch (P)
	min.	max.	min.	max.	min.	max.	
M3	7.0	1.40	1.8	5.20	5.5	0.50	
M4	8.9	1.80	2.2	6.64	7.0	0.70	
M5	10.2	2.30	2.7	7.64	8.0	0.80	
M6	12.7	2.72	3.2	9.64	10.0	1.00	
M8	16.5	3.52	4.0	12.57	13.0	1.25	
M10	20.2	4.52	5.0	15.57	16.0	1.50	

All technical data refer to the measure mm

