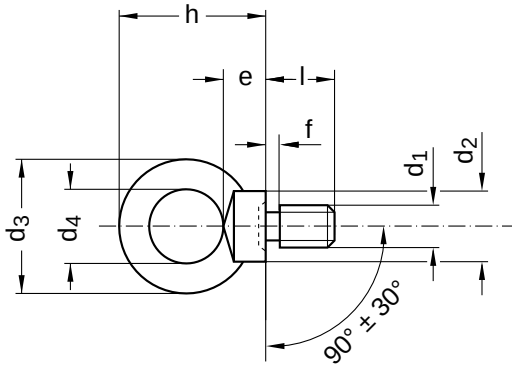


**DIN 580**

**Eye bolts**

With flange and groove | round ring

Stainless steel A2 | Cr(VI)-free | Metric thread



Diameter (d)	d <sub>1</sub>		d <sub>2</sub>		d <sub>3</sub>			d <sub>4</sub>
	nominal size	nominal size	min.	max.	nominal size	min.	max.	
M8	M 8	20	19.5	20.9	36	35.5	37.1	20
M10	M 10	25	24.5	25.9	45	44.5	46.1	25
M12	M 12	30	29.5	30.9	54	53.5	55.1	30
M16	M 16	35	34.5	36.1	63	62.5	64.1	35
M20	M 20	40	39.5	41.1	72	71.5	73.1	40
M24	M 24	50	49.4	51.2	90	89.4	91.2	50

Diameter (d)	nominal size	e		f	h			Pitch (P)
		max.	min.	max.	nominal size	min.	max.	
M8	6	6.9	5.5	2.5	36	35.5	37.1	1.25
M10	8	8.9	7.5	3.0	45	44.5	46.1	1.50
M12	10	10.9	9.5	3.5	53	52.5	54.1	1.75
M16	12	12.9	11.5	4.0	62	61.5	63.1	2.00
M20	14	14.9	13.5	5.0	71	70.5	72.1	2.50
M24	18	19.1	17.5	6.0	90	89.4	91.2	3.00

nominal size	Length (l)	
	min.	max.
13.0	12.65	13.35
17.0	16.65	17.35
20.5	20.08	20.92
27.0	26.58	27.42
30.0	29.58	30.42
36.0	35.50	36.50

All technical data refer to the measure mm



**DIN 580**

**Eye bolts**

With flange and groove | round ring

Stainless steel A2 | Cr(VI)-free | Metric thread

Diameter (d)	Length (l)					
	13	17	20.5	27	30	36
M8	●					
M10		●				
M12			●			
M16				●		
M20					●	
M24						●

• Combinations available in the eShop | Other sizes on request

All technical data refer to the measure mm

