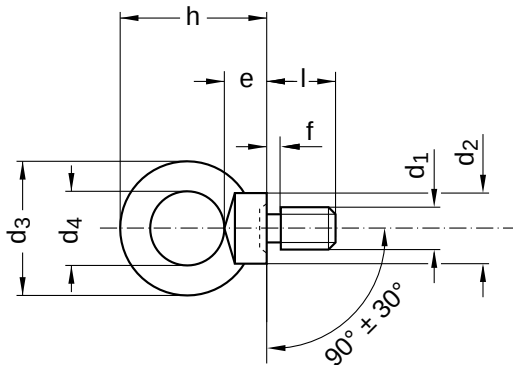


DIN 580

Eye bolts

With flange and groove | round ring

Steel C 15E | bright | Cr(VI)-free | Metric thread



Diameter (d)	d ₁		d ₂		d ₃			d ₄
	nominal size	nominal size	min.	max.	nominal size	min.	max.	
M6	M 6	20	19.5	20.9	36	35.5	37.1	20
M8	M 8	20	19.5	20.9	36	35.5	37.1	20
M10	M 10	25	24.5	25.9	45	44.5	46.1	25
M12	M 12	30	29.5	30.9	54	53.5	55.1	30
M16	M 16	35	34.5	36.1	63	62.5	64.1	35
M20	M 20	40	39.5	41.1	72	71.5	73.1	40
M24	M 24	50	49.4	51.2	90	89.4	91.2	50
M30	M 30	65	64.3	66.3	108	107.3	109.5	60
M36	M 36	75	74.3	76.5	126	125.2	127.7	70
M42	M 42	85	84.3	86.5	144	143.2	145.7	80
M48	M 48	100	99.2	101.7	166	164.9	168.1	90

Diameter (d)	nominal size	e		f	h			Pitch (P)
		max.	min.	max.	nominal size	min.	max.	
M6	6	6.9	5.5	2.5	36	35.5	37.1	1.00
M8	6	6.9	5.5	2.5	36	35.5	37.1	1.25
M10	8	8.9	7.5	3.0	45	44.5	46.1	1.50
M12	10	10.9	9.5	3.5	53	52.5	54.1	1.75
M16	12	12.9	11.5	4.0	62	61.5	63.1	2.00
M20	14	14.9	13.5	5.0	71	70.5	72.1	2.50
M24	18	19.1	17.5	6.0	90	89.4	91.2	3.00
M30	22	23.2	21.4	7.0	109	108.3	110.5	3.50
M36	26	27.3	25.3	8.0	128	127.2	129.7	4.00
M42	30	31.3	29.3	9.0	147	146.2	148.7	4.50
M48	35	36.7	34.2	10.0	168	166.9	170.1	5.00

All technical data refer to the measure mm



DIN 580

Eye bolts

With flange and groove | round ring

Steel C 15E | bright | Cr(VI)-free | Metric thread

nominal size	Length (l)	
	min.	max.
13.0	12.65	13.35
17.0	16.65	17.35
20.5	20.08	20.92
27.0	26.58	27.42
30.0	29.58	30.42
36.0	35.50	36.50

nominal size	Length (l)	
	min.	max.
45.0	44.50	45.50
54.0	53.50	54.50
63.0	62.40	63.60
68.0	67.40	68.60

Diameter (d)	Length (l)									
	13	17	20.5	27	30	36	45	54	63	68
M6	●									
M8	●									
M10		●								
M12			●							
M16				●						
M20					●					
M24						●				
M30							●			
M36								●		
M42									●	
M48										●

• Combinations available in the eShop | Other sizes on request

All technical data refer to the measure mm

