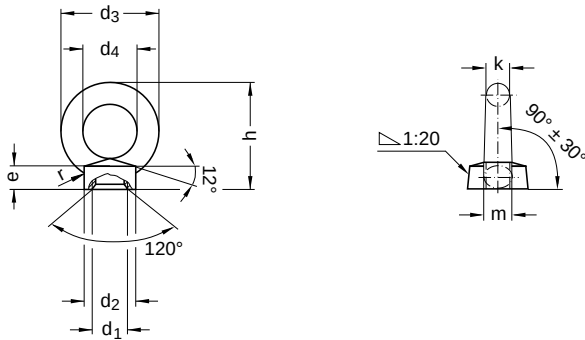


DIN 582
Eye nuts
Round ring

Steel C 15E | bright | Cr(VI)-free | Metric thread



Diameter (d)	d ₂			d ₃			d ₄	e		
	nominal size	min.	max.	nominal size	min.	max.		nominal size	max.	min.
M6	20	19.5	20.9	36	35.5	37.1	20	8.5	9.4	8.0
M8	20	19.5	20.9	36	35.5	37.1	20	8.5	9.4	8.0
M10	25	24.5	25.9	45	44.5	46.1	25	10.0	10.9	9.5
M12	30	29.5	30.9	54	53.5	55.1	30	11.0	11.9	10.5
M16	35	34.5	36.1	63	62.5	64.1	35	13.0	13.9	12.5
M20	40	39.5	41.1	72	71.5	73.1	40	16.0	16.9	15.5
M24	50	49.4	51.2	90	89.4	91.2	50	20.0	21.1	19.5
M30	65	64.3	66.3	108	107.3	109.5	60	25.0	26.2	24.4
M36	75	74.3	76.5	126	125.2	127.7	70	30.0	31.3	29.3
M42	85	84.3	86.5	144	143.2	145.7	80	35.0	36.5	34.3

Diameter (d)	nominal size	h		k			m			r	Pitch (P)
		min.	max.	nominal size	min.	max.	nominal size	min.	max.		
M6	36	35.5	37.1	8	7.5	8.9	10	9.5	10.9	4	1.00
M8	36	35.5	37.1	8	7.5	8.9	10	9.5	10.9	4	1.25
M10	45	44.5	46.1	10	9.5	10.9	12	11.5	12.9	4	1.50
M12	53	52.5	54.1	12	11.5	12.9	14	13.5	14.9	6	1.75
M16	62	61.5	63.1	14	13.5	14.9	16	15.5	16.9	6	2.00
M20	71	70.5	72.1	16	15.5	16.9	19	18.5	19.9	8	2.50
M24	90	89.4	91.2	20	19.5	21.1	24	23.5	25.1	12	3.00
M30	109	108.3	110.5	24	23.4	25.2	28	27.4	29.2	15	3.50
M36	128	127.2	129.7	28	27.3	29.3	32	31.3	33.3	18	4.00
M42	147	146.2	148.7	32	31.3	33.3	38	37.3	39.5	20	4.50

All technical data refer to the measure mm

