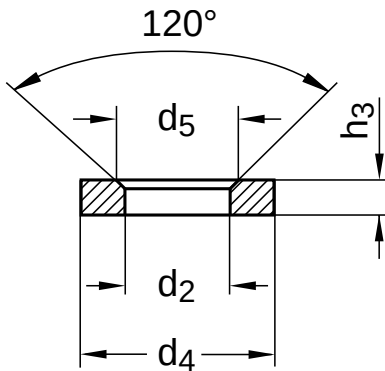


DIN 6319 G

Conical cups

Form G: $d_4 > d_3$ | for long slots

Steel | bright | Cr(VI)-free



Diameter (d)	d ₂ nominal size	d ₄	d ₅	h ₃ nominal size
12	12	30	18.5	5
14.2	14.2	36	20.0	6
19	19	40	26.0	6
23.2	23.2	44	31.0	7
28	28	50	37.0	8

All technical data refer to the measure mm

