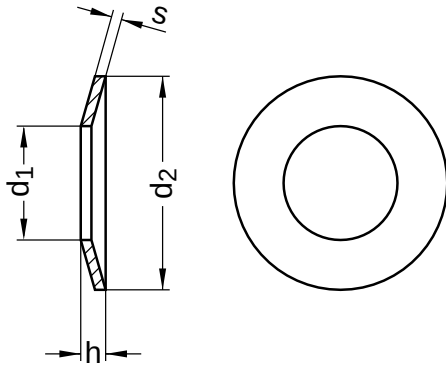


DIN 6796

Conical spring washers

For threaded connections

Spring steel | mechanically zinc-plated, passivated | Cr(VI)-free



Diameter (d)	d ₁ nominal size	d ₂ nominal size	h		s nominal size
			min.	max.	
4	4.3	9	1.12	1.30	1.0
5	5.3	11	1.35	1.55	1.2
6	6.4	14	1.70	2.00	1.5
8	8.4	18	2.24	2.60	2.0
10	10.5	23	2.80	3.20	2.5
12	13	29	3.43	3.95	3.0
16	17	39	4.58	5.25	4.0
20	21	45	5.60	6.40	5.0

All technical data refer to the measure mm

