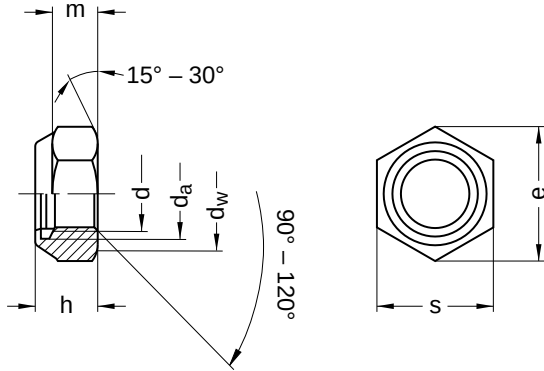


**DIN 6924** similar to ISO 7040

## Hexagon nuts

With clamping part | non-metallic insert

Steel 8 | zinc-plated | Cr(VI)-free | Metric thread



Diameter (d)	d <sub>a</sub>		d <sub>w</sub>	h		e	m	s		Pitch (P)	Tool size
	min.	max.		min.	max.			min.	max.		
M4	4	4.60	5.9	5.70	6.0	7.66	2.90	6.78	7	0.70	SW 7
M5	5	5.75	6.9	6.44	6.8	8.79	4.40	7.78	8	0.80	SW 8
M6	6	6.75	8.9	7.64	8.0	11.05	4.90	9.78	10	1.00	SW 10
M8	8	8.75	11.6	9.14	9.5	14.38	6.44	12.73	13	1.25	SW 13
M10	10	10.80	14.6	11.47	11.9	17.77	8.04	15.73	16	1.50	SW 16
M12	12	13.00	16.6	14.47	14.9	20.03	10.37	17.73	18	1.75	SW 18
M16	16	17.30	22.5	18.26	19.1	26.75	14.10	23.67	24	2.00	SW 24
M18	18	19.50	24.9	19.76	20.6	29.56	15.10	26.16	27	2.50	SW 27
M20	20	21.60	27.7	21.50	22.8	32.95	16.90	29.16	30	2.50	SW 30
M22	22	23.70	31.4	23.20	24.5	37.29	18.10	33.00	34	2.50	SW 34
M24	24	25.90	33.2	25.80	27.1	39.55	20.20	35.00	36	3.00	SW 36
M27	27	29.10	38.0	29.40	31.0	45.20	22.50	40.00	41	3.00	SW 41
M30	30	32.40	42.7	31.00	32.6	50.85	24.30	45.00	46	3.50	SW 46

All technical data refer to the measure mm

