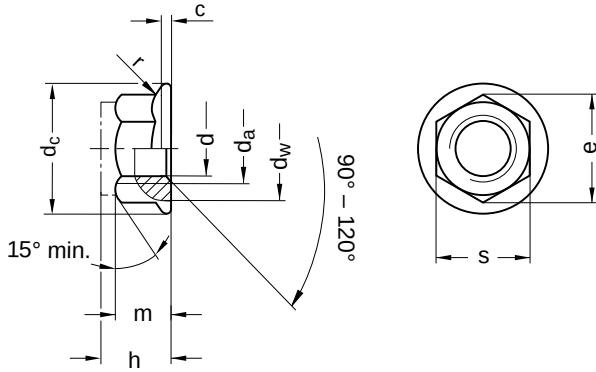


DIN 6926 similar to EN 1663

Hexagon nuts

With flange and clamp | non-metallic insert

Steel 8 | zinc-plated | Cr(VI)-free | Metric thread



Diameter (d)	c		d _a		d _c	d _w		h		e	m	r	s		Pitch (P)	Tool size
	min.	max.	min.	max.	max.	min.	max.	min.	max.	min.	max.	min.	max.			
M5	1.0	5	5.75	11.8	9.8	6.74	7.1	8.79	4.7	0.30	7.78	8	0.80	SW 8		
M6	1.1	6	6.75	14.2	12.2	8.74	9.1	11.05	5.7	0.36	9.78	10	1.00	SW 10		
M8	1.2	8	8.75	17.9	15.8	10.67	11.1	14.38	7.6	0.48	12.73	13	1.25	SW 13		
M10	1.5	10	10.80	21.8	19.6	13.07	13.5	16.64	9.6	0.60	14.73	15	1.50	SW 15		
M12	1.8	12	13.00	26.0	23.8	15.67	16.1	20.03	11.6	0.72	17.73	18	1.75	SW 18		
M14	2.1	14	15.10	29.9	27.6	17.68	18.2	23.36	13.3	0.88	20.67	21	2.00	SW 21		
M16	2.4	16	17.30	34.5	31.9	19.46	20.3	26.75	15.3	0.96	23.67	24	2.00	SW 24		
M20	3.0	20	21.60	42.8	39.9	23.96	24.8	32.95	18.9	1.20	29.16	30	2.50	SW 30		

All technical data refer to the measure mm

