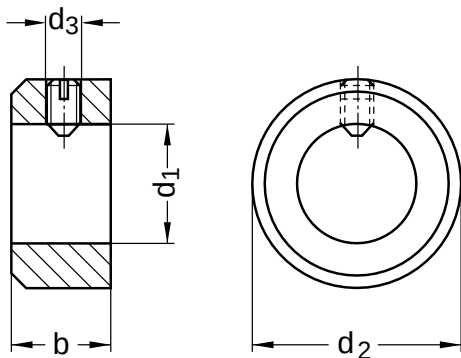


**DIN 705**  
**Adjusting rings**

Form A

Steel | bright | Cr(VI)-free

Further information: Up to d = 70 mm with 1 threaded pin, from d = 80 mm with 2 threaded pins



Diameter (d)	b nominal size	d <sub>1</sub> nominal size	d <sub>2</sub> nominal size	d <sub>3</sub> nominal size
6	8	6	12	M4
8	8	8	16	M4
10	10	10	20	M5
12	12	12	22	M6
15	12	15	25	M6
16	12	16	28	M6
18	14	18	32	M6
20	14	20	32	M6
22	14	22	36	M6
24	16	24	40	M8
25	16	25	40	M8
28	16	28	45	M8
30	16	30	45	M8
35	16	35	56	M8
40	18	40	63	M10
45	18	45	70	M10
50	18	50	80	M10
60	20	60	90	M10
70	20	70	100	M10
80	22	80	110	M12

All technical data refer to the measure mm

