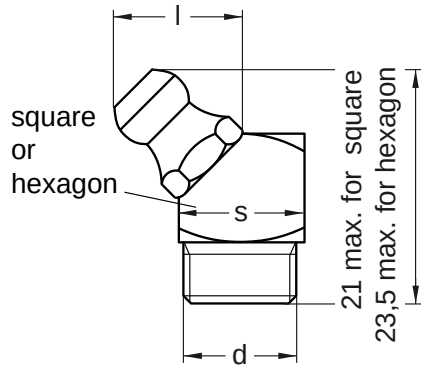


DIN 71412 B

Conical grease nipple

Form B: 45° head position

Steel 5.8 | zinc-plated | Cr(VI)-free | Imperial thread



Diameter (d)	s nominal size	Length (l) nominal size
R 1/8	11	11

All technical data refer to the measure mm

