

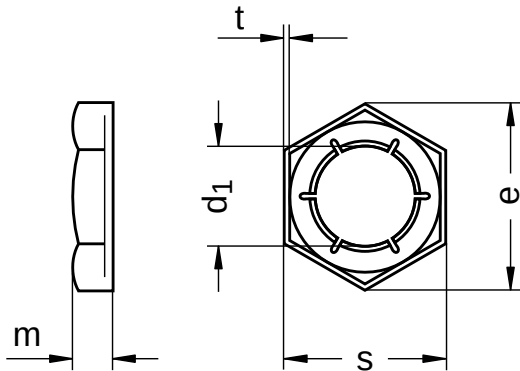
**DIN 7967**

**Self-locking nuts**

Row 1: 6 ratchets

Spring steel | bright | Cr(VI)-free | For metrical screw

Further information: Norm has been withdrawn without replacement



Diameter (d)	d <sub>1</sub> nominal size	e nominal size	m nominal size	s nominal size	Pitch (P)	t nominal size	Tool size
M8	6.9	15.0	35.0	13	1.25	0.5	SW 13
M10	8.6	19.6	4.0	17	1.50	0.5	SW 17
M12	10.4	21.9	4.5	19	1.75	0.6	SW 19
M14	12	25.4	5.0	22	2.00	0.6	SW 22
M16	14.1	27.7	5.0	24	2.00	0.7	SW 24
M20	17.6	34.6	6.0	30	2.50	0.8	SW 30
M22	19.6	36.9	6.0	32	2.50	0.8	SW 32
M24	21	41.6	7.0	36	3.00	0.9	SW 36
M27	24.2	47.3	7.0	41	3.00	1.0	SW 41
M30	26.6	53.1	8.0	46	3.50	1.1	SW 46
M33	29.8	57.7	8.0	50	3.50	1.2	SW 50
M36	32.2	63.5	9.0	55	4.00	1.3	SW 55
M42	37.6	75.0	11.0	65	4.50	1.4	SW 65

All technical data refer to the measure mm

