

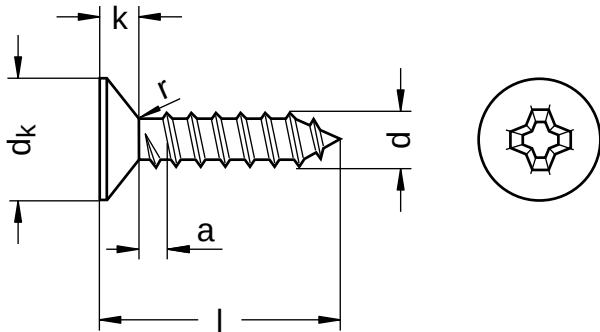
DIN 7982 similar to ISO 7050

Tapping screws

Countersunk head | cross-slot phillips | form C with cone point

Stainless steel A4 | Cr(VI)-free | Thread type ST (sheet metal)

Further information: DIN-standard has been withdrawn | changed head measurements with ISO norm



| Diameter (d) | a | | dk | | k nominal size | r max. | Pitch (P) | Tool size |
|-----------------|------|-------|------|------|-------------------|-----------|--------------|--------------|
| | max. | min. | max. | max. | | | | |
| 2.2 | 0.8 | 4.00 | 4.3 | 1.3 | 0.8 | 0.8 | H1 | |
| 2.9 | 1.1 | 5.20 | 5.5 | 1.7 | 1.1 | 1.1 | H1 | |
| 3.5 | 1.3 | 6.44 | 6.8 | 2.1 | 14.0 | 1.3 | H2 | |
| 3.9 | 1.3 | 7.14 | 7.5 | 2.3 | 1.5 | 1.3 | H2 | |
| 4.2 | 1.4 | 7.74 | 8.1 | 2.5 | 1.8 | 1.4 | H2 | |
| 4.8 | 1.6 | 9.14 | 9.5 | 3.0 | 1.9 | 1.6 | H2 | |
| 5.5 | 1.8 | 10.37 | 10.8 | 3.4 | 2.1 | 1.8 | H3 | |
| 6.3 | 1.8 | 11.97 | 12.4 | 3.8 | 2.4 | 1.8 | H3 | |

| nominal size | Length (l) | |
|--------------|------------|------|
| | min. | max. |
| 6.5 | 5.7 | 7.3 |
| 9.5 | 8.7 | 10.3 |
| 13.0 | 12.2 | 13.8 |
| 16.0 | 15.2 | 16.8 |
| 19.0 | 18.2 | 19.8 |
| 22.0 | 21.2 | 22.8 |

| nominal size | Length (l) | |
|--------------|------------|------|
| | min. | max. |
| 25.0 | 24.2 | 25.8 |
| 32.0 | 30.7 | 33.3 |
| 38.0 | 36.7 | 39.3 |

All technical data refer to the measure mm



DIN 7982 similar to ISO 7050

Tapping screws

Countersunk head | cross-slot phillips | form C with cone point

Stainless steel A4 | Cr(VI)-free | Thread type ST (sheet metal)

| Diameter (d) | Length (l) | | | | | | | | |
|-----------------|------------|-----|----|----|----|----|----|----|----|
| | 6.5 | 9.5 | 13 | 16 | 19 | 22 | 25 | 32 | 38 |
| 2.2 | ● | ● | ● | ● | | | | | |
| 2.9 | ● | ● | ● | ● | ● | | | | |
| 3.5 | | ● | ● | ● | ● | ● | ● | | |
| 3.9 | | ● | ● | ● | ● | ● | ● | | |
| 4.2 | | ● | ● | ● | ● | ● | ● | ● | |
| 4.8 | | ● | ● | ● | ● | ● | ● | ● | |
| 5.5 | | | ● | ● | ● | ● | ● | ● | ● |
| 6.3 | | | ● | ● | | ● | ● | ● | ● |

• Combinations available in the eShop | Other sizes on request

All technical data refer to the measure mm

