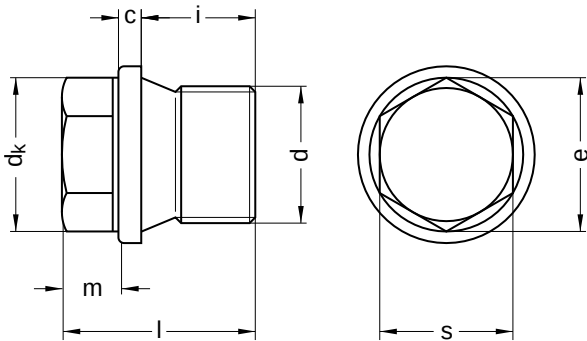
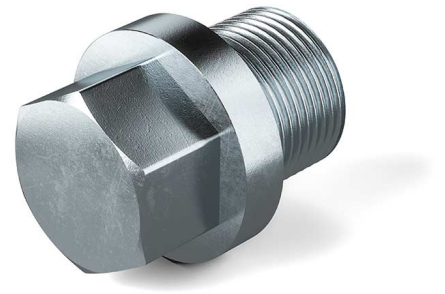


DIN 910
Locking screws

Hexagon head with flange

Steel | zinc-plated | Cr(VI)-free | Cylindrical pipe thread



Diameter (d)	c		d _k nominal size	i	m nominal size	e min.	s nominal size	Tool size
	nominal size	max.						
G 1/4 A	3	3.5	18	12	6	14.20	13	SW 13
G 3/8 A	3	3.5	22	12	6	17.59	16	SW 17
G 1/2 A	4	4.5	26	14	8	19.85	18	SW 19
G 3/4 A	4	4.5	32	16	10	26.17	24	SW 24
G 1 A	5	5.5	39	16	11	29.56	27	SW 27

Length (l)	
nominal size	
	21
	26
	30
	32

Diameter (d)	Length (l)			
	21	26	30	32
G 1/4 A	●			
G 3/8 A	●			
G 1/2 A		●		
G 3/4 A			●	
G 1 A				●

• Combinations available in the eShop | Other sizes on request

All technical data refer to the measure mm

