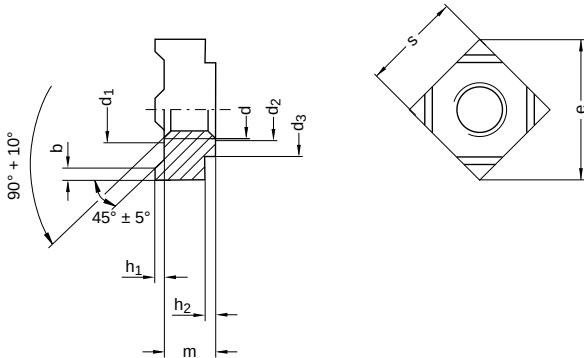


**DIN 928**  
**Square neck weld nuts**

Stainless steel A2 | Cr(VI)-free | Metric thread



Diameter (d)	b		d <sub>1</sub> nominal size	d <sub>2</sub> max.	d <sub>3</sub> min.	h <sub>1</sub>			
	nominal size	min.				max.	nominal size	min.	max.
M5	1.0	0.85	1.15	6	5.25	8.2	0.8	0.7	0.9
M6	1.2	1.05	1.35	7.5	6.30	9.1	0.8	0.7	0.9
M8	1.5	1.35	1.65	10	8.40	12.8	1.0	0.9	1.1

Diameter (d)	max.	h <sub>2</sub>		m nominal size	e min.	s nominal size	Pitch (P)
		min.	max.				
M5	1.5	0.6	1.1	4.2	12	9	0.80
M6	1.8	0.7	1.1	5.0	13	10	1.00
M8	2.0	1.1	1.6	6.5	18	14	1.25

All technical data refer to the measure mm

