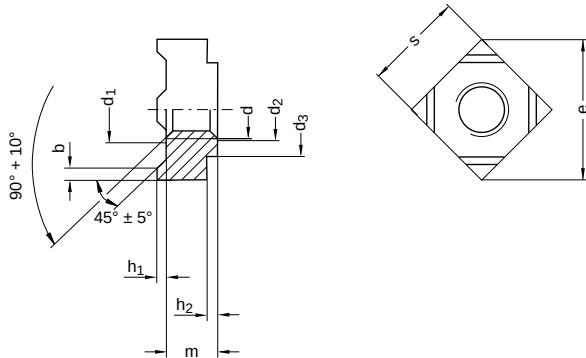


**DIN 928**  
**Square neck weld nuts**

Steel | bright | Cr(VI)-free | Metric thread



Diameter (d)	nominal size	b		d <sub>1</sub> nominal size	d <sub>2</sub> max.	d <sub>3</sub> min.	h <sub>1</sub>		
		min.	max.				nominal size	min.	max.
M4	0.8	0.65	0.95	5	4.20	6.4	0.6	0.5	0.7
M5	1.0	0.85	1.15	6	5.25	8.2	0.8	0.7	0.9
M6	1.2	1.05	1.35	7.5	6.30	9.1	0.8	0.7	0.9
M8	1.5	1.35	1.65	10	8.40	12.8	1.0	0.9	1.1
M10	1.8	1.60	2.00	12.5	10.50	15.6	1.2	1.1	1.3
M12	2.0	1.80	2.20	13.5	12.60	17.4	1.4	1.3	1.5

Diameter (d)	max.	h <sub>2</sub>		m nominal size	e min.	s nominal size	Pitch (P)
		min.	max.				
M4	1.3	0.40		3.5	9	7	0.70
M5	1.5	0.60		4.2	12	9	0.80
M6	1.8	0.70		5.0	13	10	1.00
M8	2.0	1.10		6.5	18	14	1.25
M10	2.2	1.25		8.0	22	17	1.50
M12	3.0	1.75		9.5	25	19	1.75

All technical data refer to the measure mm

