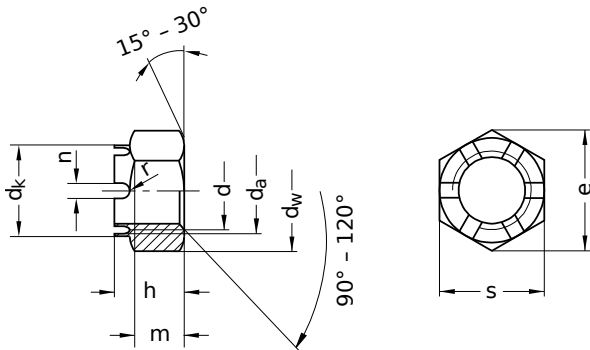


DIN 935
Castle nuts

External hex

Steel 5 AU | bright | Cr(VI)-free | Metric fine thread



Diameter (d)	d _a		d _k		d _w	h		e	m		n		s		Pitch (P)	Tool size
	min.	max.	min.	max.		min.	max.		min.	max.	min.	max.	min.	max.		
M8 x 1	8	8.75	–	–	11.6	9.14	9.5	14.38	6.14	6.5	2.5	2.75	12.73	13	1.0	SW 13
M10 x 1	10	10.80	–	–	14.6	11.57	12.0	17.77	7.64	8.0	2.8	3.05	15.73	16	1.0	SW 17
M12 x 1.5	12	13.00	15.57	16	16.6	14.57	15.0	20.03	9.64	10.0	3.5	3.80	17.73	18	1.5	SW 19
M14 x 1.5	14	15.10	17.57	18	19.6	15.57	16.0	23.35	10.57	11.0	3.5	3.80	20.67	21	1.5	SW 22
M16 x 1.5	16	17.30	21.48	22	22.5	18.48	19.0	26.75	12.57	13.0	4.5	4.80	23.67	24	1.5	SW 24
M18 x 1.5	18	19.50	24.30	25	24.9	20.16	21.0	29.56	14.57	15.0	4.5	4.80	26.16	27	1.5	SW 27
M18 x 2	18	19.50	24.30	25	24.9	20.16	21.0	29.56	14.57	15.0	4.5	4.80	26.16	27	2.0	SW 27
M20 x 1.5	20	21.60	27.30	28	27.7	21.16	22.0	32.95	15.57	16.0	4.5	4.80	29.16	30	1.5	SW 30
M24 x 1.5	24	25.90	33.00	34	33.2	26.16	27.0	39.55	18.48	19.0	5.5	5.80	35.00	36	1.5	SW 36
M24 x 2	24	25.90	33.00	34	33.2	26.16	27.0	39.55	18.48	19.0	5.5	5.80	35.00	36	2.0	SW 36
M27 x 2	27	29.20	37.00	38	38.0	29.16	30.0	45.20	21.48	22.0	5.5	5.80	40.00	41	2.0	SW 41
M30 x 2	30	32.40	41.00	42	42.7	32.00	33.0	50.85	23.48	24.0	7.0	7.36	45.00	46	2.0	SW 46
M33 x 2	33	35.60	45.00	46	46.6	34.00	35.0	55.37	25.48	26.0	7.0	7.36	49.00	50	2.0	SW 50
M36 x 3	36	38.90	49.00	50	51.1	37.00	38.0	60.79	28.48	29.0	7.0	7.36	53.80	55	3.0	SW 55
M39 x 3	39	42.10	53.80	55	55.9	39.00	40.0	66.44	30.28	31.0	7.0	7.36	58.80	60	3.0	SW 60
M42 x 1.5	42	45.40	56.80	58	60.6	45.00	46.0	71.30	33.38	34.0	9.0	9.36	63.10	65	1.5	SW 65
M42 x 3	42	45.40	56.80	58	60.6	45.00	46.0	71.30	33.38	34.0	9.0	9.36	63.10	65	3.0	SW 65
M48 x 3	48	51.80	63.80	65	69.4	49.00	50.0	82.60	37.38	38.0	9.0	9.36	73.10	75	3.0	SW 75
M52 x 3	52	56.20	68.80	70	74.2	52.80	54.0	88.25	41.38	42.0	9.0	9.36	78.10	80	3.0	SW 80

All technical data refer to the measure mm

