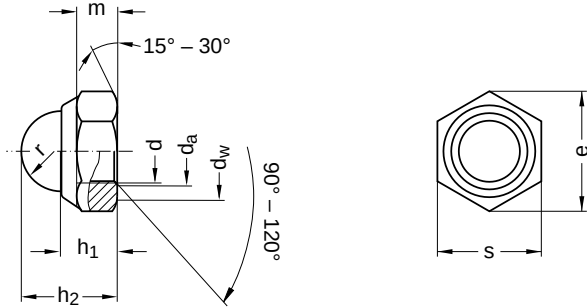


**DIN 986**

**Hexagon cap nuts**

With clamping part | non-metallic insert | low form

Stainless steel A2 | Cr(VI)-free | Metric thread



Diameter (d)	d <sub>a</sub>		d <sub>w</sub>	nominal size	h <sub>1</sub>		max.	h <sub>2</sub>	
	min.	max.	min.		min.	max.		nominal size	min.
M4	4	4.60	5.9	5.6	5.35	5.85	9.90	9.6	9.30
M5	5	5.75	6.9	6.0	5.75	6.25	10.85	10.5	10.15
M6	6	6.75	8.9	7.5	7.15	7.85	12.35	12.0	11.65
M8	8	8.75	11.6	8.9	8.55	9.25	14.35	14.0	13.65
M10	10	10.80	14.6	10.5	10.10	10.90	18.50	18.1	17.70
M12	12	13.00	16.6	13.5	13.10	13.90	22.90	22.5	22.10
M16	16	17.30	22.5	16.5	16.10	16.90	27.90	27.5	27.10
M20	20	21.60	27.7	21.0	20.50	21.50	35.50	35.0	34.50

Diameter (d)	e	m	r			s		Pitch (P)	Tool size
	min.	min.	nominal size	min.	max.	min.	max.		
M4	7.66	2.90	2.5	2.3	2.7	6.78	7	0.70	SW 7
M5	8.79	4.40	3	2.5	3.5	7.78	8	0.80	SW 8
M6	11.05	4.90	3.5	3.0	4.0	9.78	10	1.00	SW 10
M8	14.38	6.44	4.6	4.1	5.1	12.73	13	1.25	SW 13
M10	17.77	8.04	5.8	5.3	6.3	15.73	16	1.50	SW 17
M12	20.03	10.37	6.8	5.8	7.8	17.73	18	1.75	SW 19
M16	26.75	14.10	8.8	7.8	9.8	23.67	24	2.00	SW 24
M20	32.95	16.90	10.8	9.8	11.8	29.16	30	2.50	SW 30

All technical data refer to the measure mm

