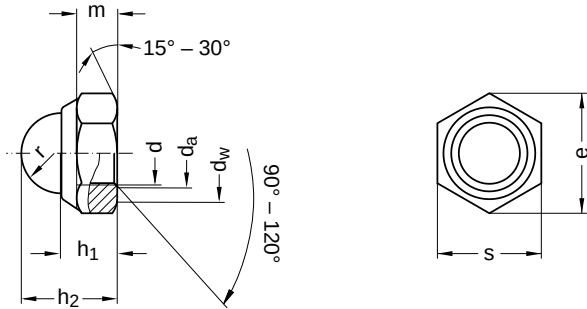


DIN 986

Hexagon cap nuts

With clamping part | non-metallic insert | low form

Steel 8 | zinc-plated | Cr(VI)-free | Metric thread



Diameter (d)	d _a		d _w min.	nominal size	h ₁		max.	h ₂	
	min.	max.			min.	max.		nominal size	min.
M4	4	4.60	5.9	5.6	5.35	5.85	9.90	9.6	9.30
M5	5	5.75	6.9	6.0	5.75	6.25	10.85	10.5	10.15
M6	6	6.75	8.9	7.5	7.15	7.85	12.35	12.0	11.65
M8	8	8.75	11.6	8.9	8.55	9.25	14.35	14.0	13.65
M10	10	10.80	14.6	10.5	10.10	10.90	18.50	18.1	17.70
M12	12	13.00	16.6	13.5	13.10	13.90	22.90	22.5	22.10
M16	16	17.30	22.5	16.5	16.10	16.90	27.90	27.5	27.10

Diameter (d)	e min.	m min.	r			s		Pitch (P)	Tool size
			nominal size	min.	max.	min.	max.		
M4	7.66	2.90	2.5	2.3	2.7	6.78	7	0.70	SW 7
M5	8.79	4.40	3	2.5	3.5	7.78	8	0.80	SW 8
M6	11.05	4.90	3.5	3.0	4.0	9.78	10	1.00	SW 10
M8	14.38	6.44	4.6	4.1	5.1	12.73	13	1.25	SW 13
M10	17.77	8.04	5.8	5.3	6.3	15.73	16	1.50	SW 17
M12	20.03	10.37	6.8	5.8	7.8	17.73	18	1.75	SW 19
M16	26.75	14.10	8.8	7.8	9.8	23.67	24	2.00	SW 24

All technical data refer to the measure mm

