

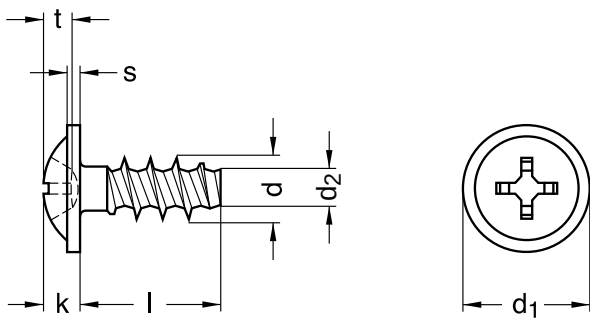
E 1411
EJOT®-PT screws

Raised countersunk head with pressed-on washer | cross-slot phillips

Stainless steel A2 | Cr(VI)-free | Self-tapping thread

Further information: For further information and CAD-files please follow the link to the EJOT-homepage:

<http://www.ejot.com/industry>



Diameter (d)	d ₁ nominal size	d ₂ nominal size	k nominal size	s		Pitch (P)	t	
				min.	max.		max.	min.
2	4	1.15	1.4	0.5	0.7	0.35	0.97	0.50
2.2	4.4	1.25	1.6	0.5	0.7	0.98	1.14	0.68
2.5	5	1.4	1.8	0.6	0.8	1.12	1.28	0.82
3	6	1.66	2.1	0.7	0.9	1.34	1.61	1.15
3.5	7	1.91	2.4	0.8	1.0	1.57	1.70	1.07
4	8	2.17	2.5	0.9	1.1	1.79	1.96	1.33

Length (l) nominal size
6.0
7.0
8.0
8.5
10.0
12.0

Length (l) nominal size
14.0
16.0
20.0

Diameter (d)	Length (l)									
	6	7	8	8.5	10	12	14	16	20	
2	●									
2.2	●			●		●				
2.5		●			●		●			
3			●			●				
3.5						●				
4					●	●		●	●	

• Combinations available in the eShop | Other sizes on request

All technical data refer to the measure mm

