

**E 1413**

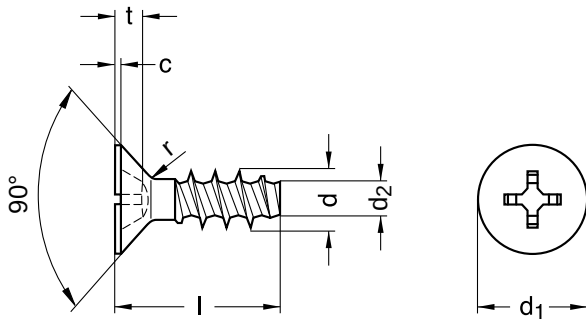
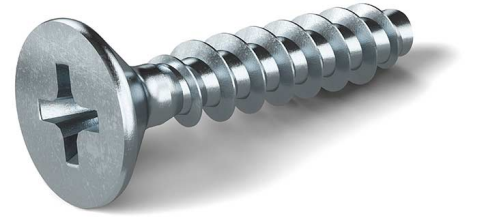
**EJOT®-PT screws**

Countersunk head | cross-slot phillips

Stainless steel A2 | Cr(VI)-free | Self-tapping thread

Further information: For further information and CAD-files please follow the link to the EJOT-homepage:

<http://www.ejot.com/industry>



Diameter (d)	c max.	d <sub>1</sub> nominal size	d <sub>2</sub> nominal size	r nominal size	Pitch (P)	t max.	t min.
3	0.55	5.5	1.66	1.2	1.34	1.56	1.10
3.5	0.65	7.3	1.91	1.4	1.57	1.96	1.33
4	0.70	8.4	2.17	1.6	1.79	2.22	1.59
5	0.75	9.3	2.68	2	2.24	2.67	2.04

Length (l) nominal size
10
12
20

Diameter (d)	Length (l)		
	10	12	20
3	●	●	
3.5	●	●	
4	●	●	
5			●

• Combinations available in the eShop | Other sizes on request

All technical data refer to the measure mm

