

## RIVKLE® Mandrel

Spare threaded mandrel for the RIVKLE® ES 51 hydraulic manual setting tool.

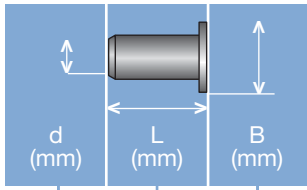
Technical information can be found on the last page.



Diameter (d)	Article number	For tool type
M 6	23510806020	ES 51
M 8	23510808020	ES 51
M 10	23510810020	ES 51
M 12	23510812020	ES 51
M 14	23510814020	ES 51

All technical data refer to the measure mm





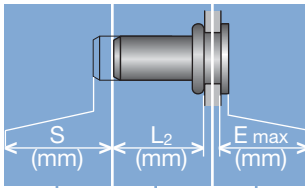
**Head diameter**  
**Overall length**  
**Thread size**



**Grip range**  
 Defines the range of total thickness of the customers part (even if it consists of more than one layer)



**Hole geometry**  
 If round → diameter  
 If hexagonal → width across flats

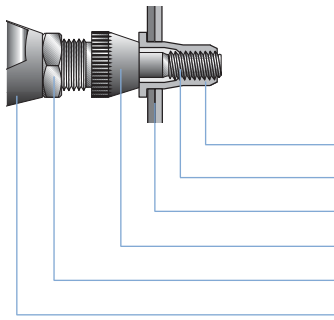


**Head projection after setting**  
 Variable according to the application (setting load, material substrate, etc.)

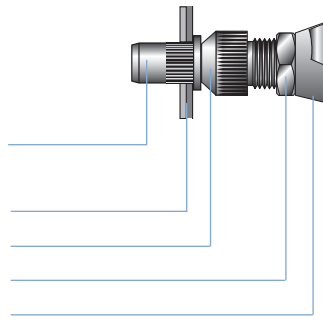
**Blind side projection after installation**  
 Defines the clearance needed on the blind side (cannot be used for quality control)

**Setting stroke**  
 Difference of total length before and after installation

**RIVKLE® Nut**



**RIVKLE® Stud**



RIVKLE®  
 Mandrel\*  
 Customers part  
 Anvil\*  
 Counter nut  
 Setting tool

\*in accordance to chosen RIVKLE®\*

All technical data refer to the measure mm

