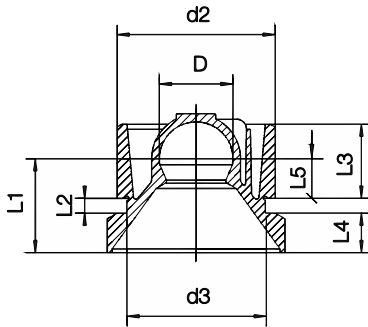


SNAPLOC® Coupling

With collar for mounting dome



Article number	d ₂ nominal size	Depth (L ₁)	Colour	Ball diameter (D)	d ₃ nominal size	d ₄	Hardness	L ₃	L ₄	L ₅	Material thickness (L ₂)
40400100012	26	16	black	10	22	32	78 Shore A	12.0	7.0	6	3
40401002324	24	16	black	10	22	32	59 Shore A	12.0	7.0	6	3
40401003024	24	16	black	10	22	32	78 Shore A	12.0	7.0	6	3
40401013024	24	16	black	10	22	32	86 Shore A	12.0	7.0	6	3
40401503032	32	19	black	15	28	36	78 Shore A	15.0	8.0	8	3
40401533032	32	19	black	15	28	36	93 Shore A	15.0	8.0	8	3
40500150040	31.5	26	black	15	27	34	86 Shore A	17.7	3.5	8	3 - 3.5

All technical data refer to the measure mm

